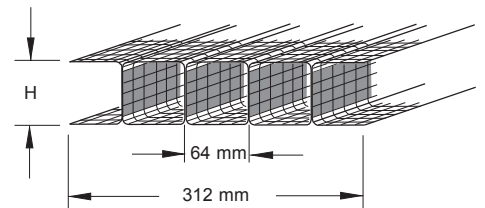
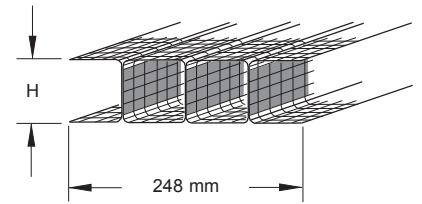
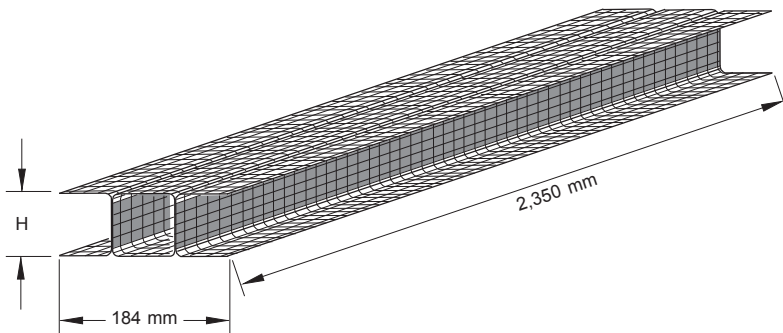


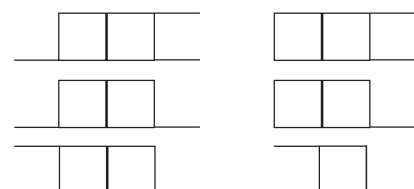
PEKATEX® Skeleton profiles made from GRP

BOX BEAM JOINING PROFILE



Kind of profile	Cross section	Type	Height H mm
Box beam joining profile		PX - 1K 2U 30	30
		PX - 1K 2U 40	44
		PX - 1K 2U 60	64
		PX - 1K 2U 80	84
		PX - 1K 2U 100	104
		PX - 1K 2U 120	124
Box beam joining profile		PX - 2K 2U 30	30
		PX - 2K 2U 40	44
		PX - 2K 2U 60	64
		PX - 2K 2U 80	84
		PX - 2K 2U 100	104
		PX - 2K 2U 120	124
Box beam joining profile		PX - 3K 2U 30	30
		PX - 3K 2U 40	44
		PX - 3K 2U 60	64
		PX - 3K 2U 80	84
		PX - 3K 2U 100	104
		PX - 3K 2U 120	124

The cross sections shown can be achieved by cutting one or more free sides from the above described profiles.



Example for type PX-2K 2U - valid analogically for other types

Profiles with more than 3 box beams upon enquiry,
greater lengths upon enquiry

thickness: 1 ⇒ 0.7 mm glass fabric content: 1 ⇒ 250 gr/m²
 2 ⇒ 1.6 mm 2 ⇒ 500 gr/m²